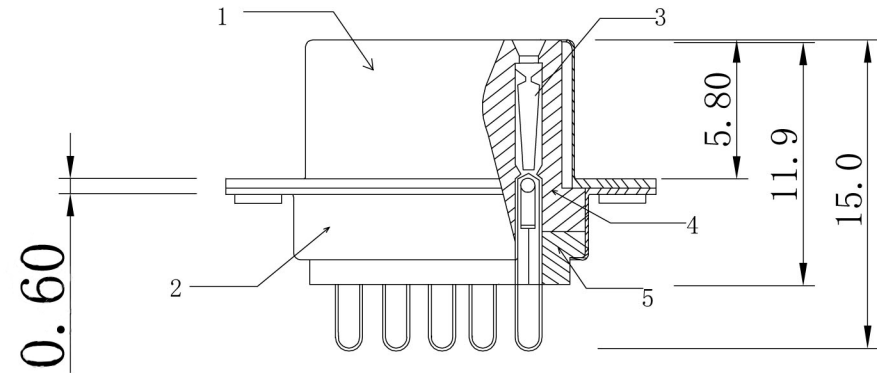
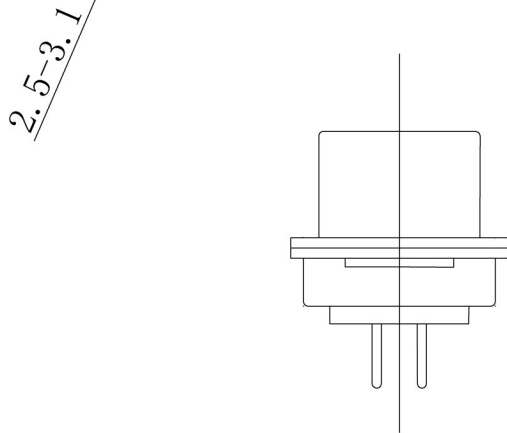
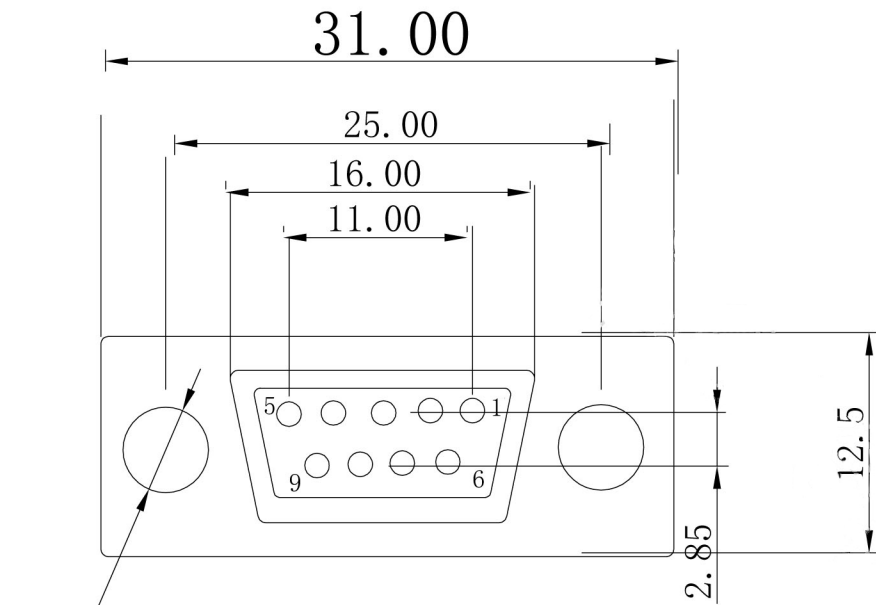


REVISIONS

| SYM | ECNNO | DESCRIPTION | DATE | APPROVED |
|-----|-------|-------------|------|----------|
| | | | | |



- 1. PRIDUCT SERIES;DBW SILDER POT
- 2. CONTACT OPTION;2;RECEPTACCE
- 3. IRREGULAR CHANGES;0;STANDARD
- 4. POSITIOINS;9PIN
- 5. INSULATIOIN COLOR;SLUE

| | |
|-----------------|------------|
| F-3-MIN-001-010 | |
| 00 | 2008/11/18 |

Show Me
CABLES
 cables & connectors since 1995

| | | | | | |
|-----------------------------|--|--------|------------|---------|-----|
| APPROVED | | DATE | 2008/11/18 | SCALE | |
| CHECKED | | DWG NO | T0010 | ANGLE | |
| DESIGNED | | UNIT | MM | | |
| DB9 FEMALE SOLDER CONNECTOR | | | | TYPE NO | 493 |